

OVERALL HEIGHT = 100.25"
 OVERALL WIDTH WITH RUB
 RAILS & FENDERETTES = 95"
 DIMENSIONS ARE NOMINAL

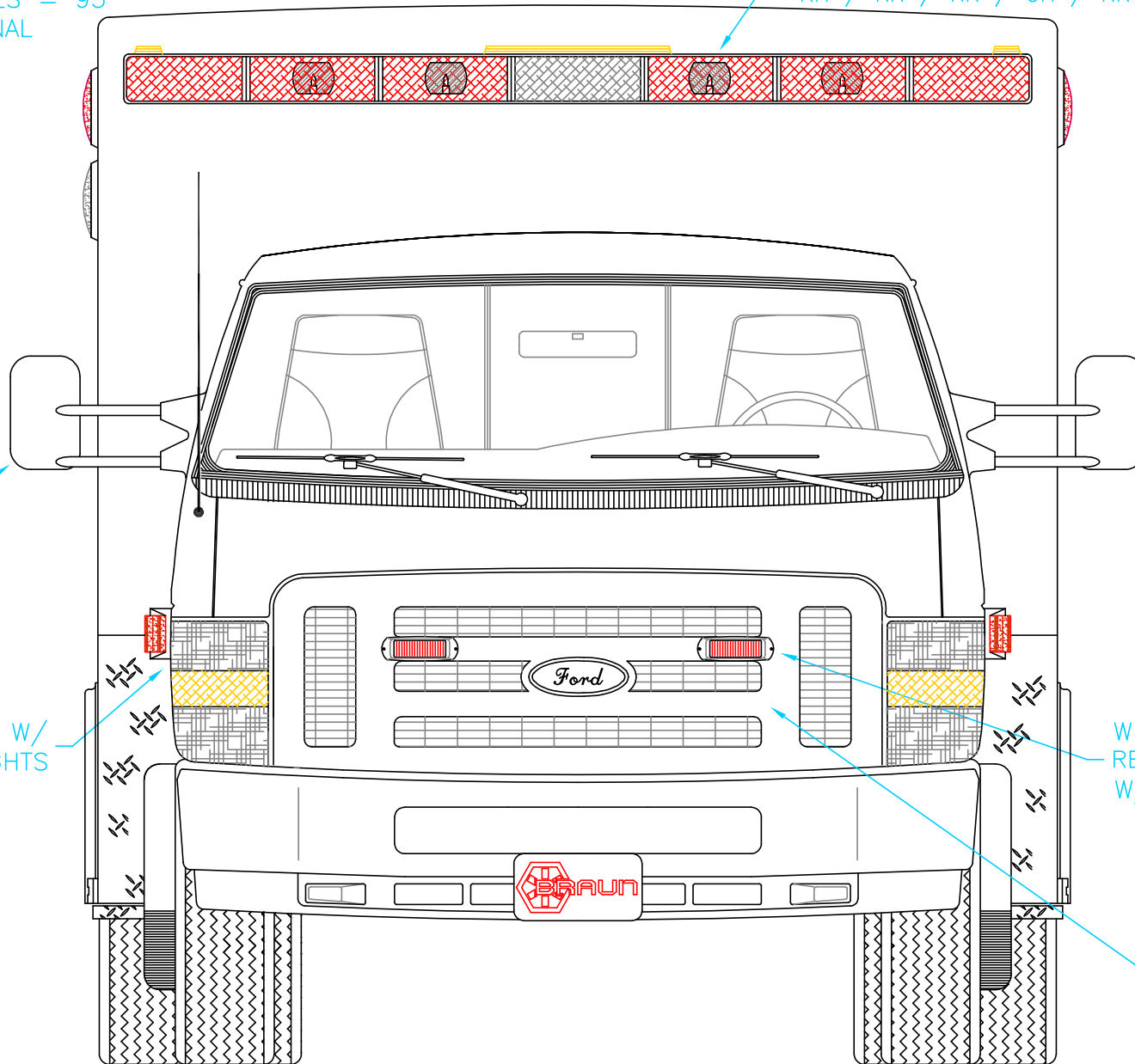
WHELEN 4500 SERIES FRONT LIGHT BAR
 (3) 700 SERIES HALOGEN FLASHERS; (4) ROTATORS
 RH / RR / RR / CH / RR / RR / RH

OEM MIRRORS

FLASHING HEADLIGHTS W/
 DAYTIME RUNNING LIGHTS

WHELEN 500 SERIES
 RED HALOGEN LIGHTS
 W/CPI HOUSINGS

(2) WHELEN SA315
 SERIES SIREN
 SPEAKERS BEHIND
 GRILLE AREA



2010 FRONT EXTERIOR VIEW
 EXPRESS-III/E-350

1:16

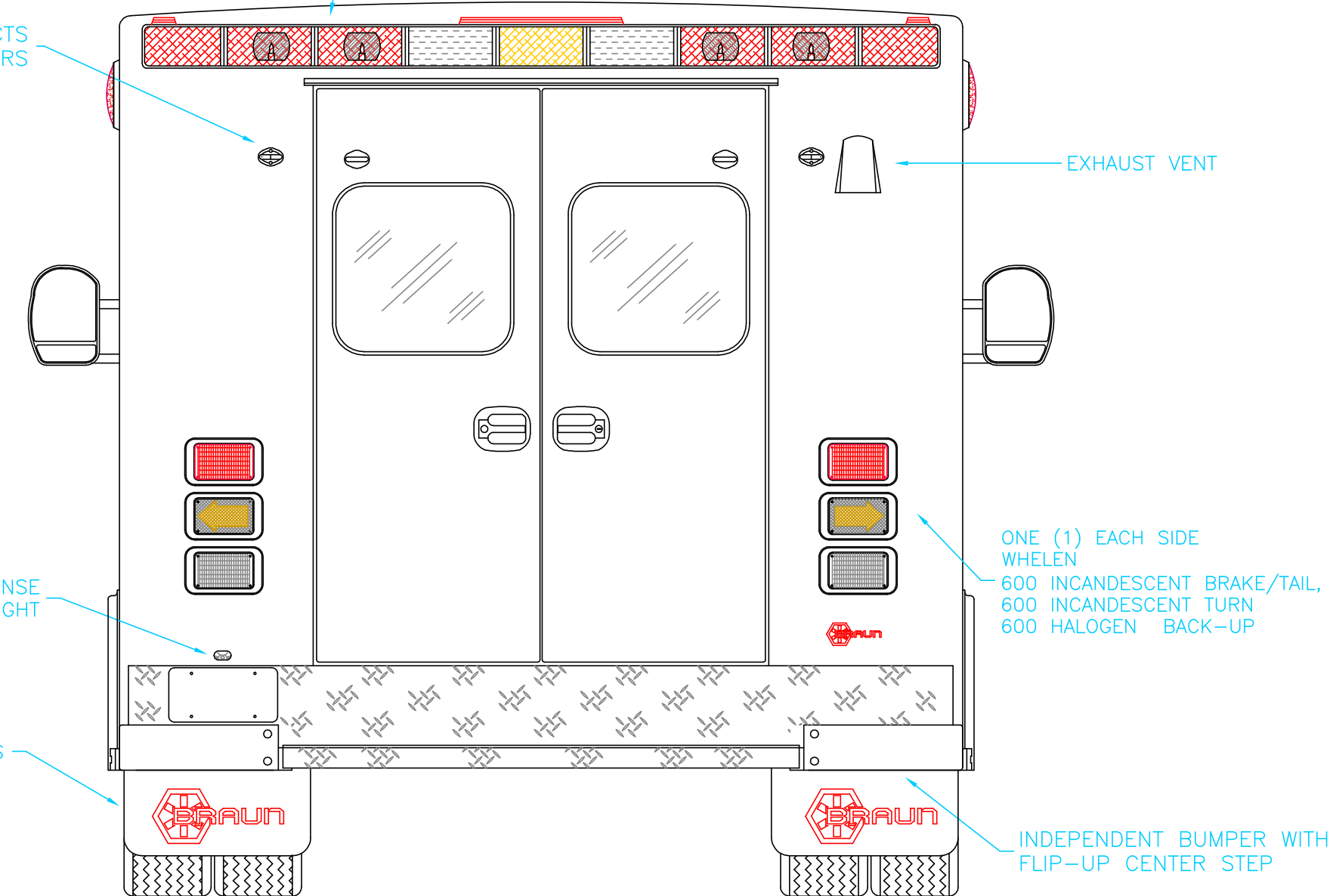
DATE:	29 JUNE 09
DWG.	GLF
REV.	NR

DRAWING NO.	EXE350-1
-------------	----------

OVERALL HEIGHT = 100.25"
 OVERALL WIDTH WITH RUB
 RAILS & FENDERETTES = 95"
 FLOOR HEIGHT = 31"
 DIMENSIONS ARE NOMINAL

WHELEN 4500 SERIES REAR LIGHT BAR
 (3) 700 SERIES HALOGEN FLASHERS; (4) ROTATORS; (2) 700 HALOGEN LOAD LIGHTS
 RH / RR / RR / LOAD / AH / LOAD / RR / RR / RH

CAST PRODUCTS
 DOOR GRABBERS



EXHAUST VENT

ONE (1) EACH SIDE
 WHELEN
 600 INCANDESCENT BRAKE/TAIL,
 600 INCANDESCENT TURN
 600 HALOGEN BACK-UP

LED LICENSE
 PLATE LIGHT

MUD FLAPS

INDEPENDENT BUMPER WITH
 FLIP-UP CENTER STEP

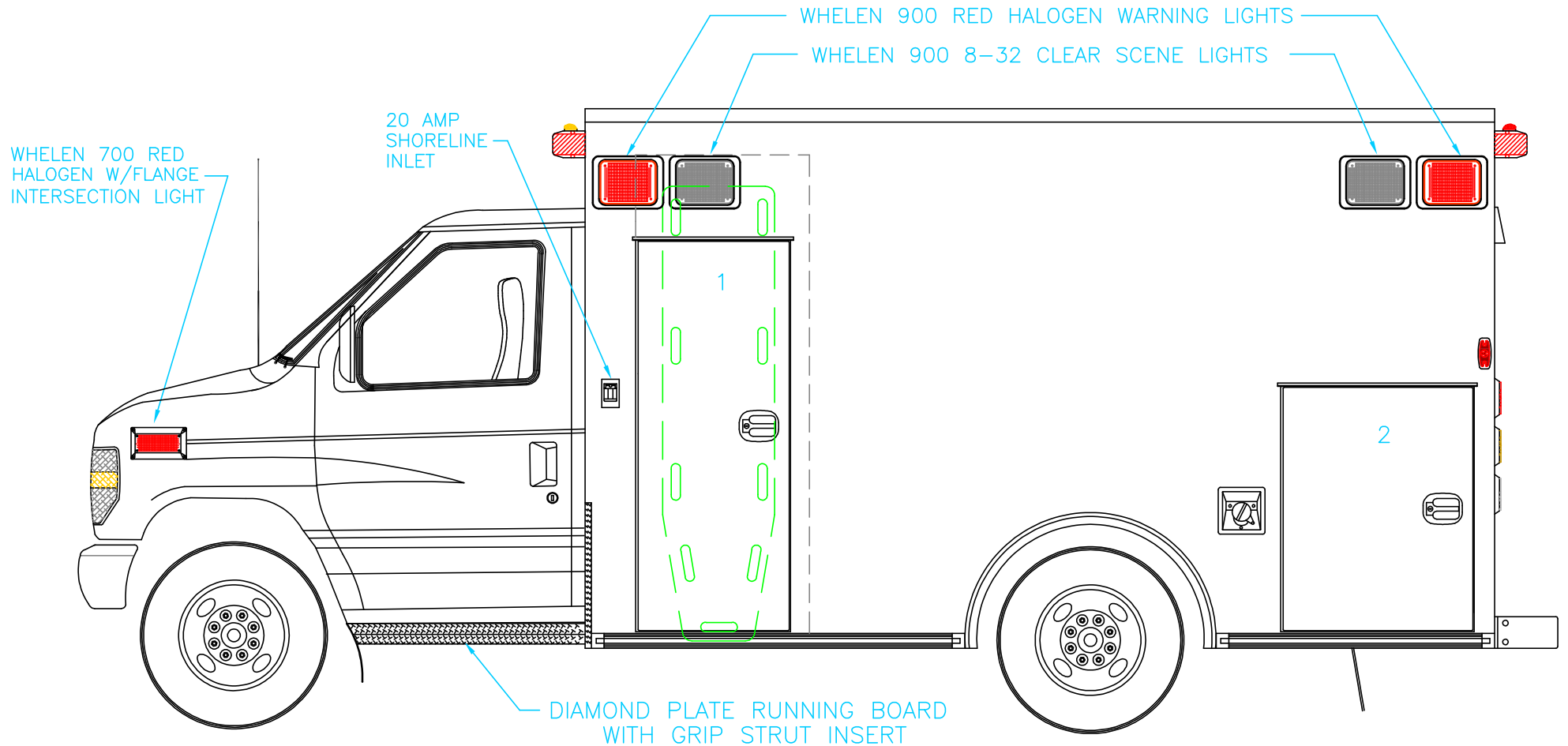


2010 REAR EXTERIOR VIEW
 EXPRESS-III

DATE: 29 JUNE 09		DRAWING NO.	
DWG. GLF	REV. NR	EXE350-2	

1:16

OVERALL HEIGHT = 100.25"
 OVERALL LENGTH = 243.5"
 MODULE LENGTH = 144"



COMPARTMENT
O.S.S #1

CLEAR OPENING: 60.50h x 20.75w
 INSIDE DIMS(INBOARD 11"): 75.00h x 27.50w x 18.50d
 INSIDE DIMS(OUTBOARD 6"): 61.00h x 27.50w x 18.50d
 BACKBOARD/SCOOP STORAGE

O.S.S #2

CLEAR OPENING: 37.25h x 26.00w
 INSIDE DIM'S.: 42.50h x 32.25w x 18.50d

DIMENSIONS ARE NOMINAL



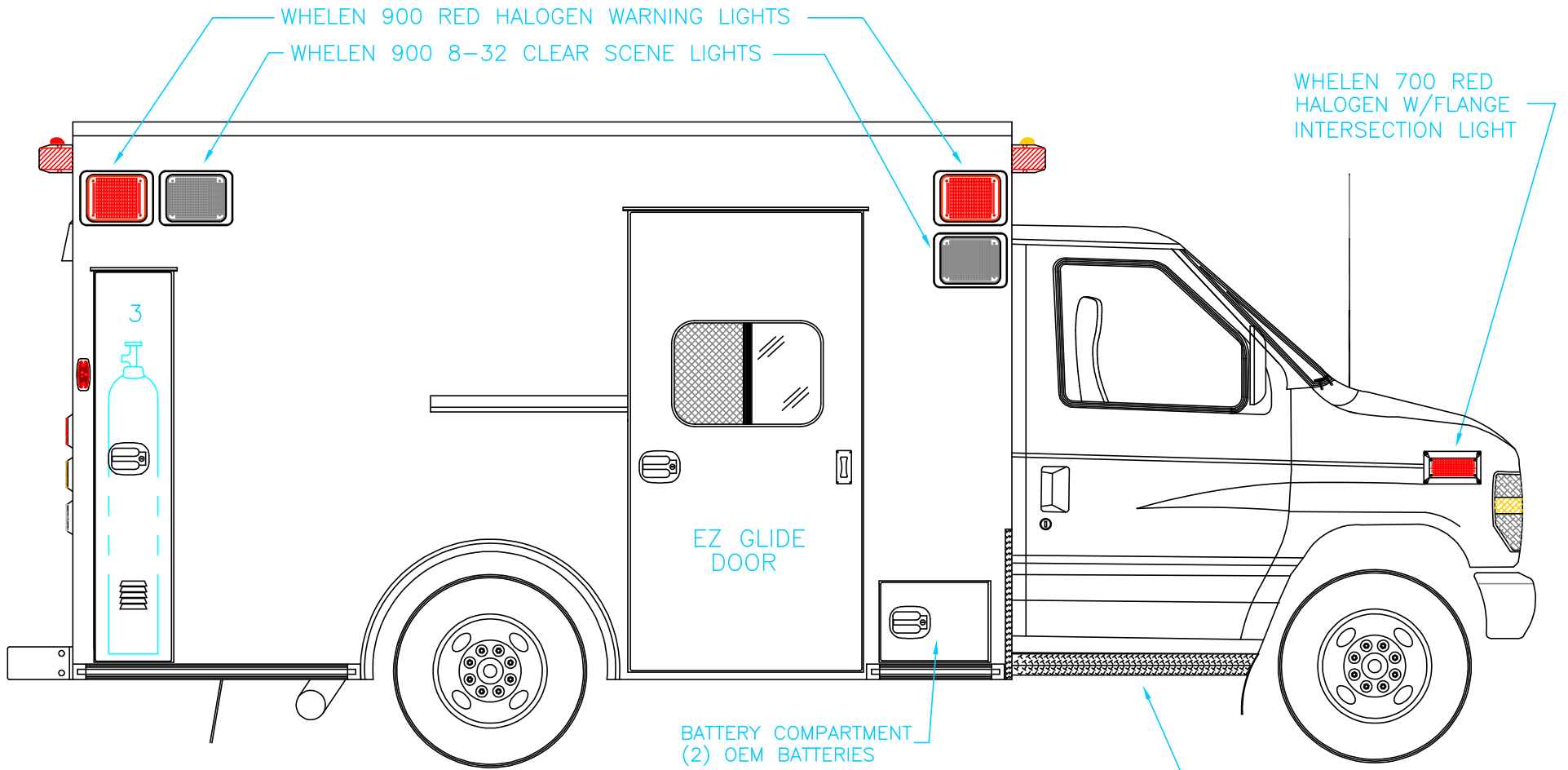
2010 STREETSIDE EXTERIOR VIEW
 EXPRESS-III/E-350

1:24

DATE: 29 JUNE 09	
DWG. GLF	REV. NR

DRAWING NO.
EXE350-3

OVERALL HEIGHT = 100.25"
 OVERALL LENGTH = 243.5"
 MODULE LENGTH = 144"



O.S.S #3
 CLEAR OPENING: 58.50h x 9.00w
 INSIDE DIM'S.: 59.25h x 12.00w x 18.50d
 OXYGEN COMPARTMENT FOR "M" OR "H" CYLINDER

DIMENSIONS ARE NOMINAL

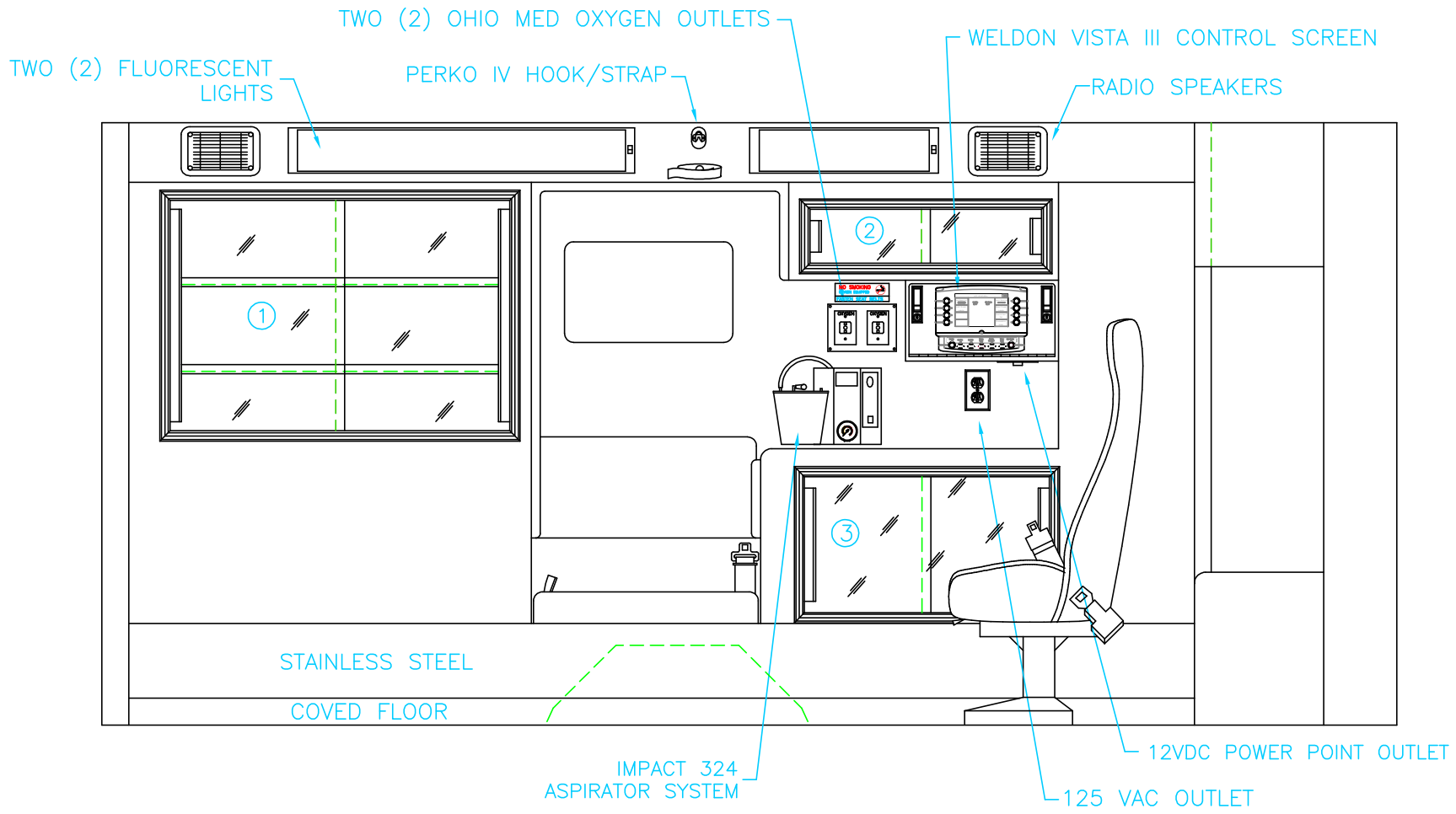


2010 CURB EXTERIOR VIEW
 EXPRESS-III/E-350

1:24

DATE:	29 JUNE 09	
DWG.	GLF	REV. NR

DRAWING NO.	EXE350-4
-------------	----------



COMPARTMENT:

#1 DOOR OPENING: 25.50h x 37.75w
 INSIDE DIMS: 28.25h x 41.75w x 16.25d
 TWO (2) ADJUSTABLE SHELVES

#2 DOOR OPENING: 5.75h x 25.75w
 INSIDE DIMS: 9.25h x 29.50w x 13.00d

#3 DOOR OPENING: 15.00h x 27.25w
 INSIDE DIMS: 16.00h x 29.75w x 16.25d

DIMENSIONS ARE NOMINAL

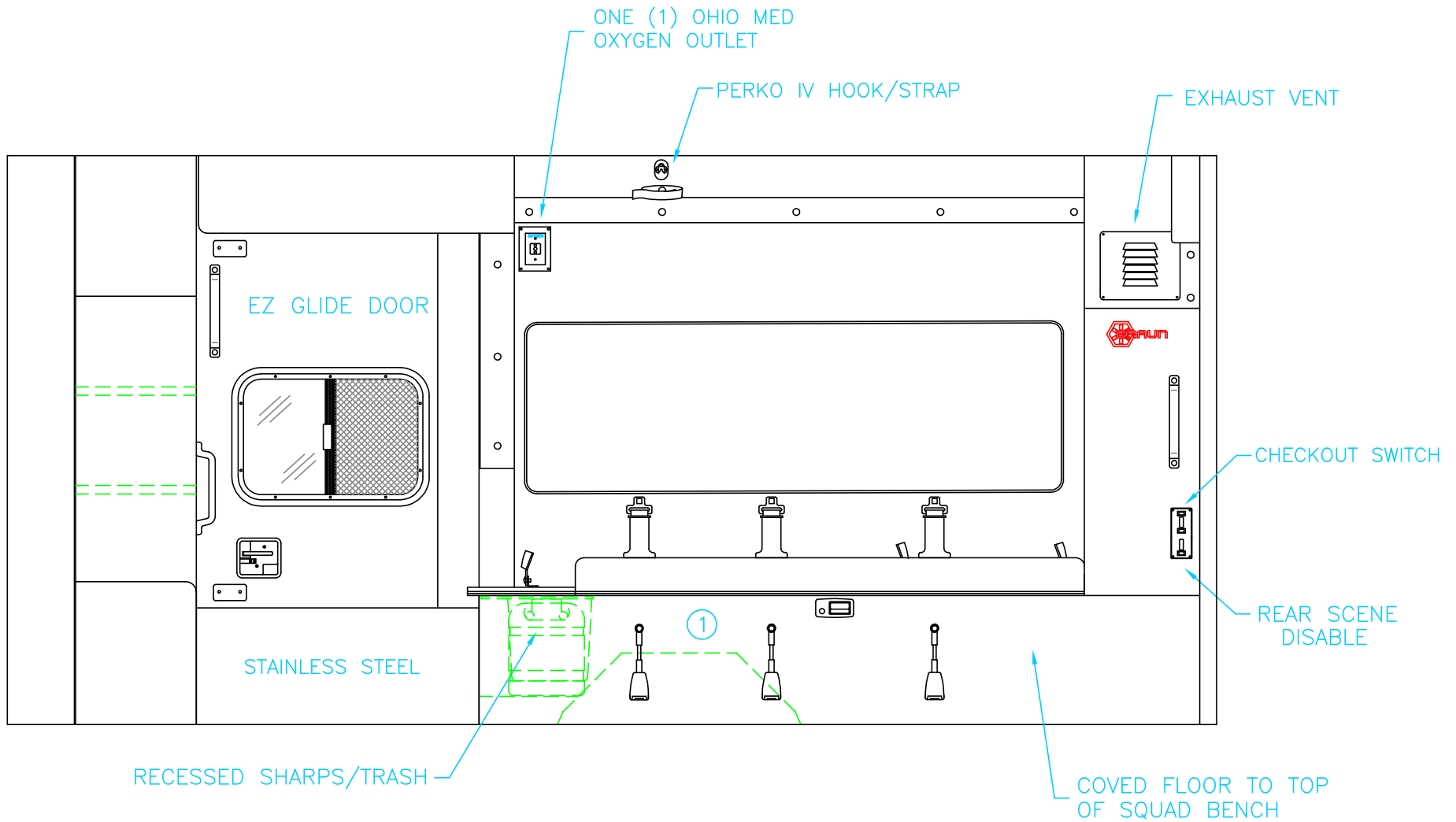


2010 STREETSIDE INTERIOR WITH CPR SEAT
 EXPRESS-III

1:18

DATE:	29 JUNE 09	
DWG.	GLF	REV. NR

DRAWING NO.
 EXE350-5



COMPARTMENT
 #1 INSIDE DIMS: 15.50h x 72.00w x 18.50d

DIMENSIONS ARE NOMINAL

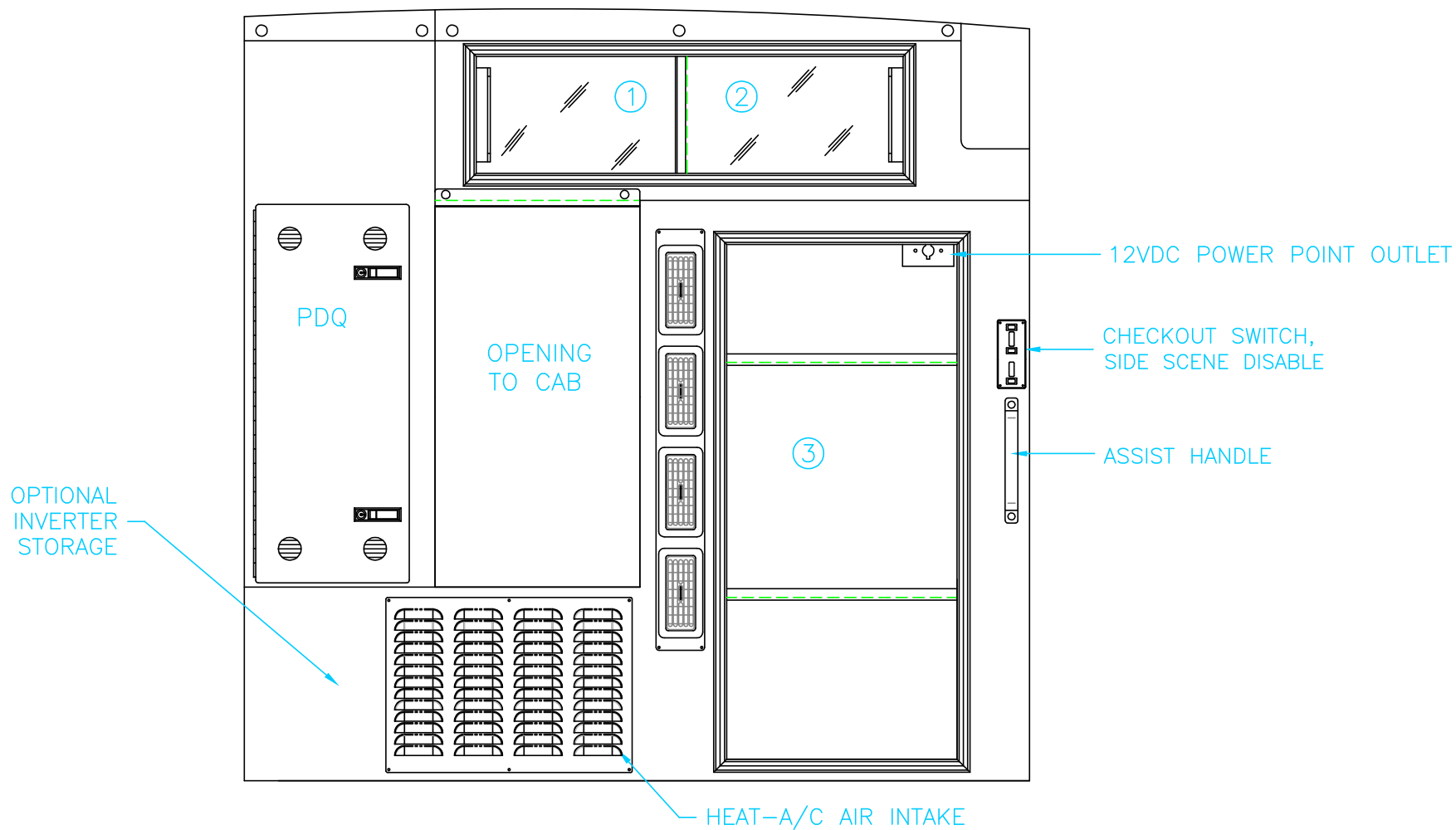


2010 CURBSIDE INTERIOR VIEW
 EXPRESS-III

1:18

DATE:	29 JUNE 09
DWG.	GLF
REV.	NR

DRAWING NO.
 EXE350-6



COMPARTMENT

#1/#2 DOOR OPENING: 10.25h x 37.50w
 INSIDE DIMS: 14.50h x 43.50w x 13.25d
 PERMANENT DIVIDER(CENTERED)

#3 DOOR OPENING: 45.25h x 20.25w
 INSIDE DIMS: 50.75h x 24.75w x 13.25d
 TWO (2) ADJUSTABLE SHELVES

DIMENSIONS ARE NOMINAL

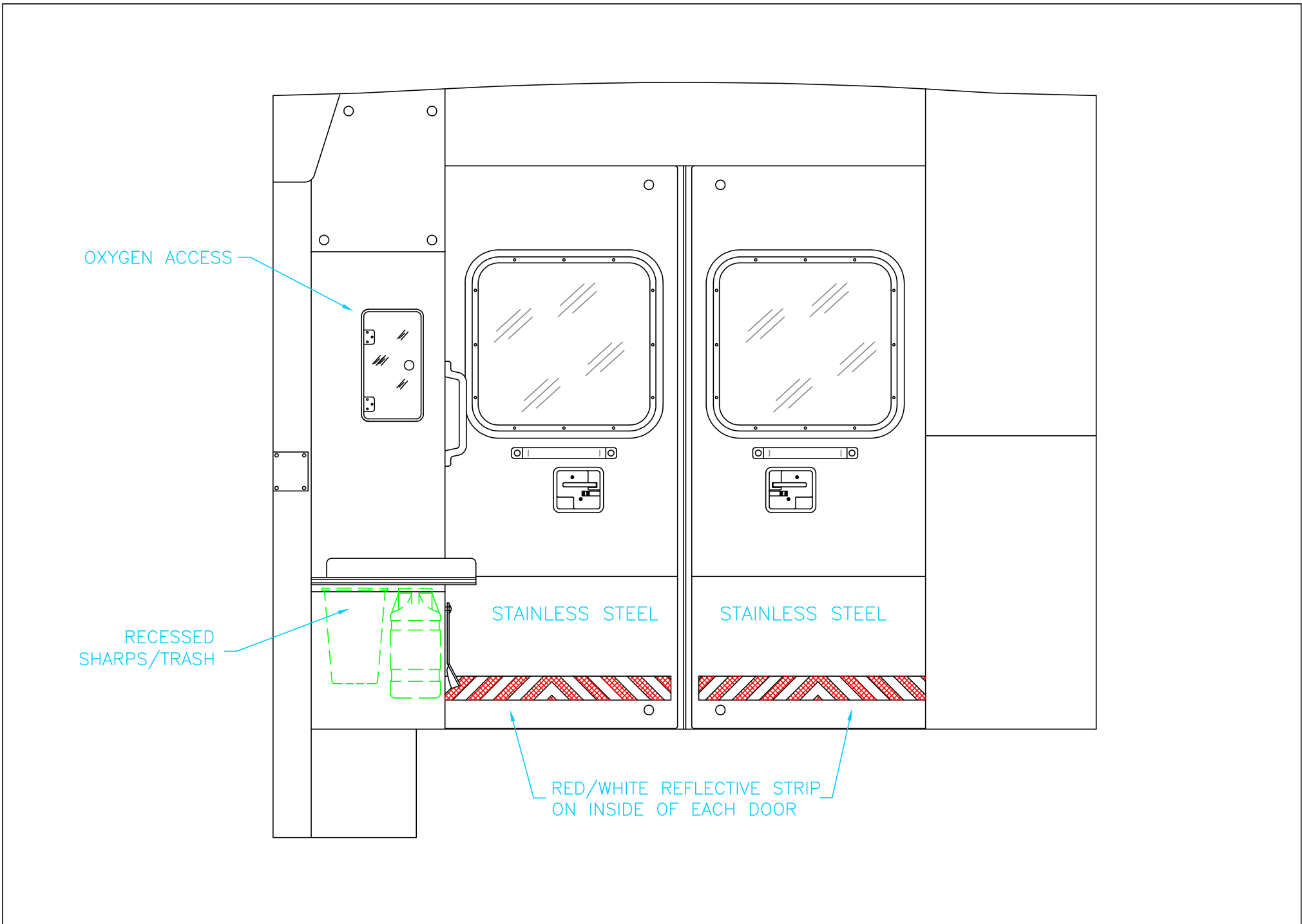


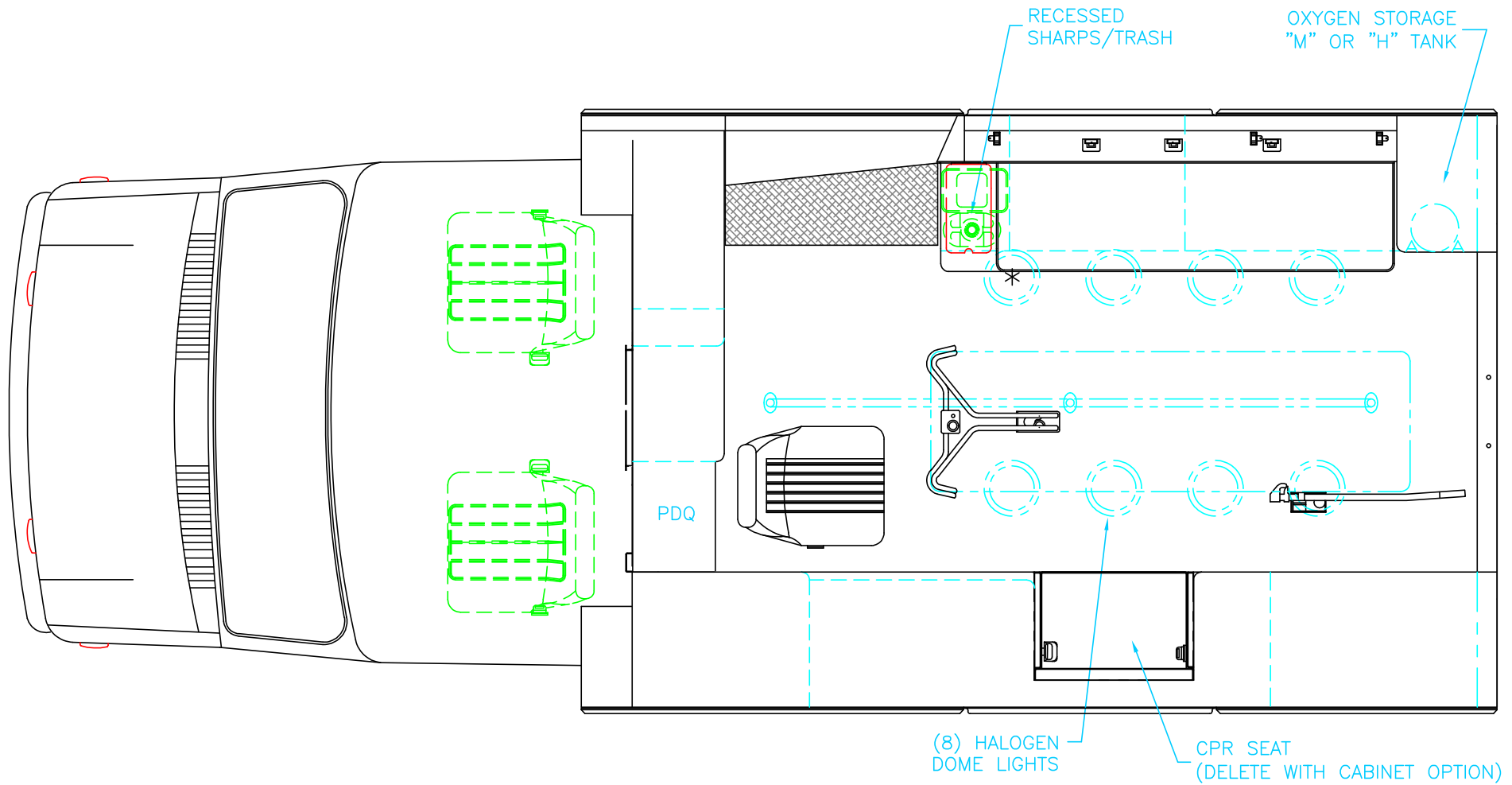
2010 PARTITION INTERIOR VIEW
 EXPRESS-III

1:14

DATE:	29 JUNE 09	
DWG.	GLF	REV. NR

DRAWING NO.
 EXE350-7





* ONE (1) ANTENNA BASE LOCATED OUTBOARD OF DOME LIGHT WITH COAX SERVICE LOOP

STRYKER CENTER MOUNT COT HARDWARE

HEAD ROOM = 68"
 OVERALL WIDTH WITH RUB
 RAILS & FENDERETTES = 95"
 MODULE LENGTH = 144"

DIMENSIONS ARE NOMINAL

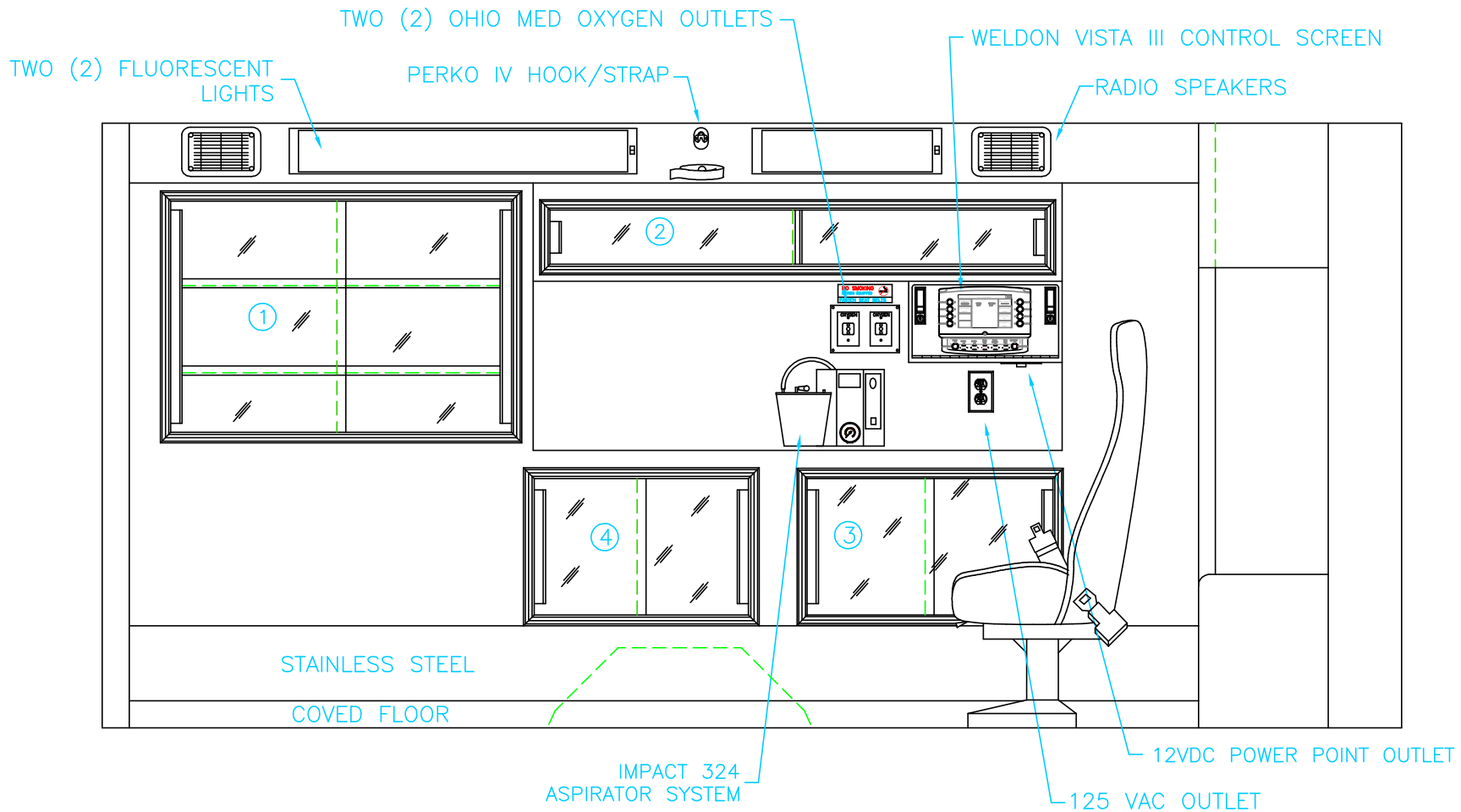


2010 FLOOR VIEW
 EXPRESS-III

1:24

DATE: 29 JUNE 09	
DWG. GLF	REV. NR

DRAWING NO. EXE350-9



COMPARTMENT:

#1 DOOR OPENING: 25.50h x 37.75w
 INSIDE DIMS: 28.25h x 41.75w x 16.25d
 TWO (2) ADJUSTABLE SHELVES
 #2 DOOR OPENING: 5.75h x 54.75w
 INSIDE DIMS: 9.25h x 58.25w x 13.00d
 FIXED CENTER DIVIDER

#3 DOOR OPENING: 15.00h x 27.25w
 INSIDE DIMS: 16.00h x 29.75w x 16.25d
 #4 DOOR OPENING: 15.00h x 23.75w
 INSIDE DIMS: 16.00h x 25.50w x 16.25d

DIMENSIONS ARE NOMINAL

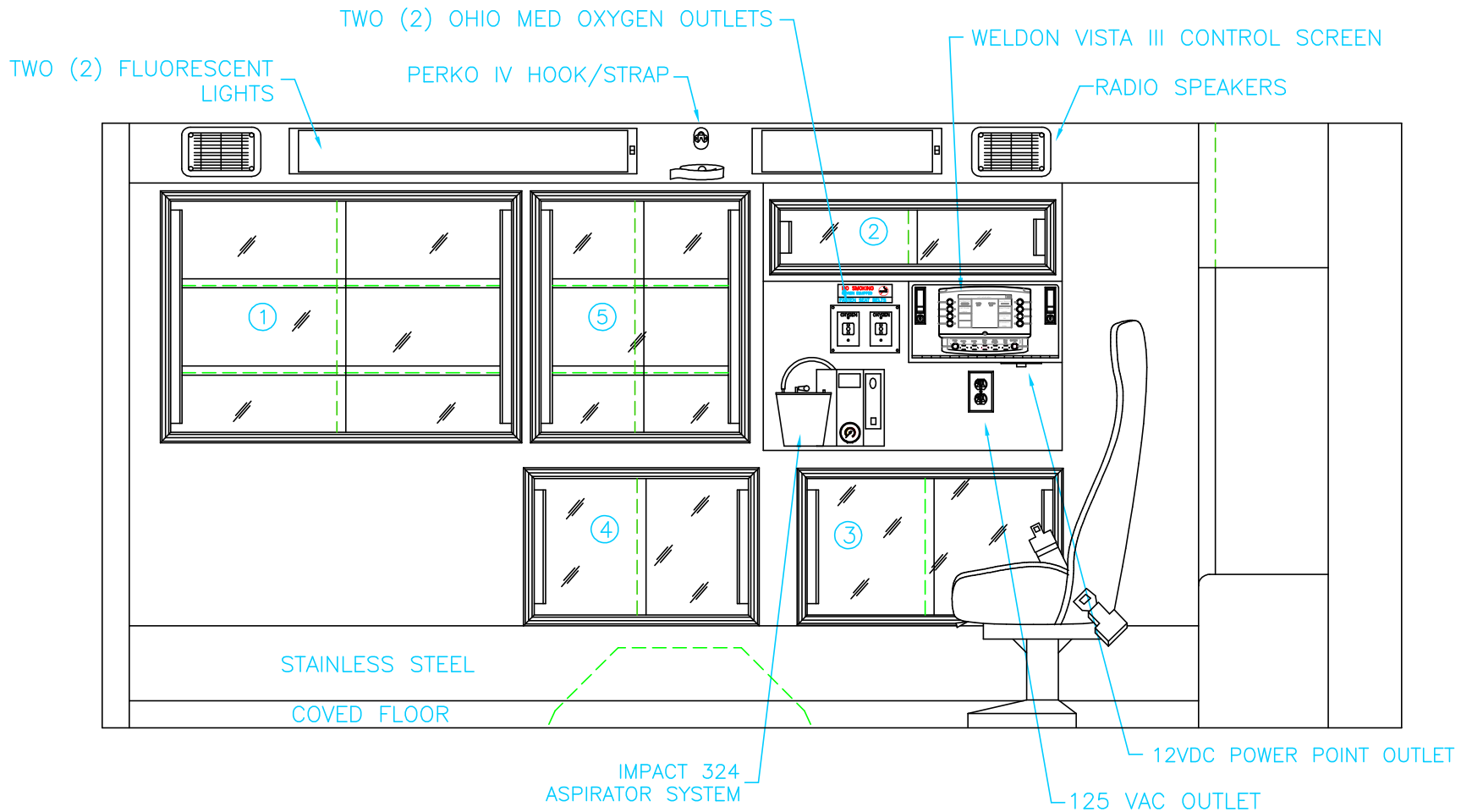


2010 STREETSIDE INTERIOR WITHOUT CPR SEAT
EXPRESS-III

1:18

DATE:	29 JUNE 09
DWG.	GLF
REV.	NR

DRAWING NO.
EXE350-10



COMPARTMENT:

#1 DOOR OPENING: 25.50h x 37.75w
 INSIDE DIMS: 28.25h x 41.75w x 16.25d
 TWO (2) ADJUSTABLE SHELVES

#2 DOOR OPENING: 5.75h x 29.25w
 INSIDE DIMS: 9.25h x 33.25w x 13.00d

#3 DOOR OPENING: 15.00h x 27.25w
 INSIDE DIMS: 16.00h x 29.75w x 16.25d

#4 DOOR OPENING: 15.00h x 23.75w
 INSIDE DIMS: 16.00h x 25.50w x 16.25d

#5 DOOR OPENING: 25.50h x 22.00w
 INSIDE DIMS: 28.25h x 25.50w x 16.25d
 TWO (2) ADJUSTABLE SHELVES

DIMENSIONS ARE NOMINAL



2010 STREETSIDE INTERIOR WITH FULL CABINETS
 EXPRESS-III

1:18

DATE:	29 JUNE 09
DWG.	GLF
REV.	NR

DRAWING NO.
 EXE350-11